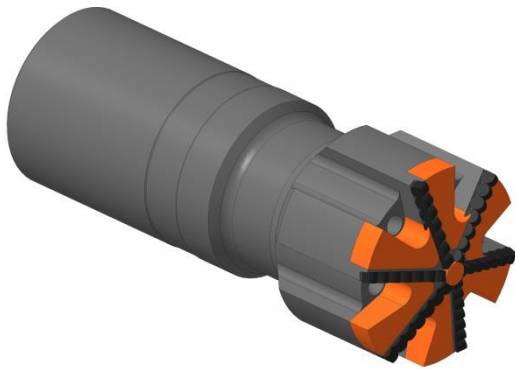


Drillbit mill type FD

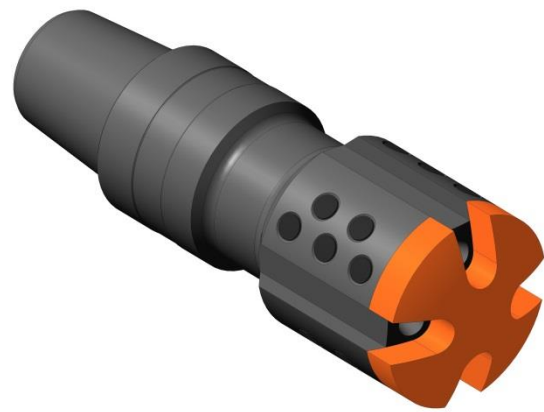
The Drillbit mill type FD (Pic. 1) and Drillbit mill type FDT (Pic.2) are used to mill cement bridges, sand plugs and technological equipment under favorable conditions with slow impact loads.

The Drillbit mill type FD has combined equipment with hard alloy plates in order to enhance operating with light alloy containing brass and aluminium.

The Drillbit mill type FDT is strengthened with hard alloy plates to prevent wear-out along diameter of the tool.



Pic. 1



Pic. 2

Code	OD,in	Connecting thread	Length, ft	Weight, lb
FD-83	3.0	2-3/8 Reg	0.92	21.39
FD-85	3.35	2-3/8 Reg	0.92	22.49
FD-92	3.62	2-3/8 IF	0.92	23.81
FD-100	3.94	2-3/8 IF	0.98	25.36
FD-102	3.94	2-3/8 IF	0.98	26.02
FD-104	4.09	2-3/8 IF	0.98	26.46
FD-112	4.41	2-3/8 IF	0.98	33.08
FD-114	4.49	2-3/8 IF	0.98	33.52
FD-115	4.53	2-7/8 IF	0.98	33.52
FD-118	4.65	2-7/8 IF	0.98	35.28
FD-138	5.43	2-7/8 IF	1.12	40.79
FD-141	5.55	2-7/8 IF	1.12	42.78

* can be designed and manufactured according to client's specification